

EEEE273 - Quiz 1 [Question Set 1]
SEMESTER 3, ACADEMIC YEAR 2011/2012
Date: 8 February 2012

Name:

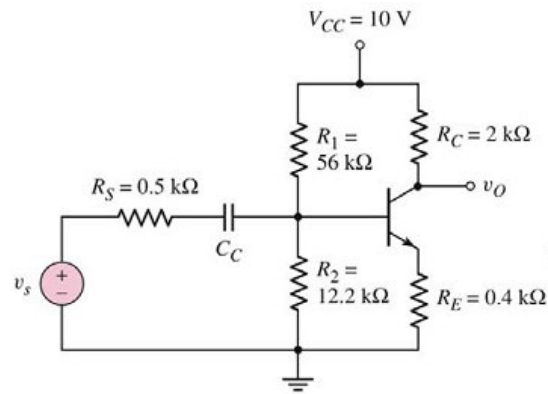
Student ID Number:

Section: 01A / 01B

Lecturer: Dr. Jamaludin Bin Omar

Question:

Draw AC equivalent circuit and small-signal equivalent circuit for the following circuit.



Answer:

EEEE273 - Quiz 1 [Question Set 2]
SEMESTER 3, ACADEMIC YEAR 2011/2012
Date: 8 February 2012

Name:

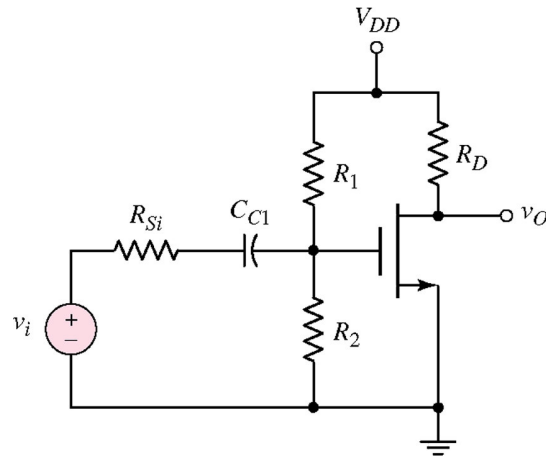
Student ID Number:

Section: 01A / 01B

Lecturer: Dr. Jamaludin Bin Omar

Question:

Draw AC equivalent circuit and small-signal equivalent circuit for the following circuit.



Answer:

EEEE273 - Quiz 1 [Question Set 3]
SEMESTER 3, ACADEMIC YEAR 2011/2012
Date: 8 February 2012

Name:

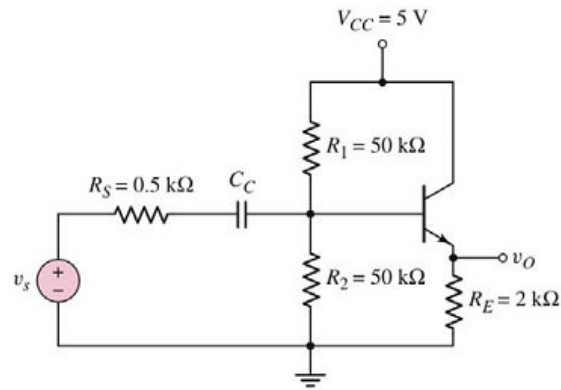
Student ID Number:

Section: 01A / 01B

Lecturer: Dr. Jamaludin Bin Omar

Question:

Draw AC equivalent circuit and small-signal equivalent circuit for the following circuit.



Answer:

EEEE273 - Quiz 1 [Question Set 4]
SEMESTER 3, ACADEMIC YEAR 2011/2012
Date: 8 February 2012

Name:

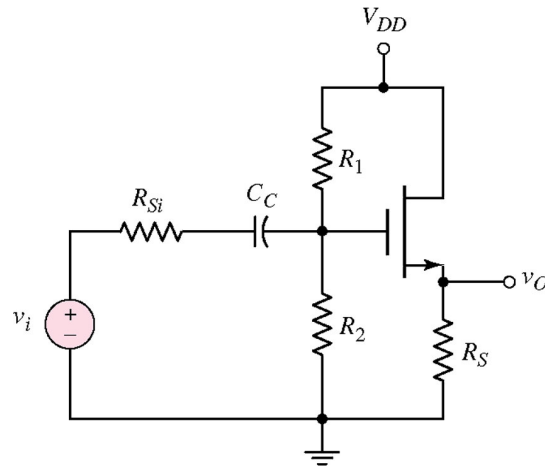
Student ID Number:

Section: 01A / 01B

Lecturer: Dr. Jamaludin Bin Omar

Question:

Draw AC equivalent circuit and small-signal equivalent circuit for the following circuit.



Answer: